



DP25-TH **Thermistor Indicator/Controller**

Where Do I Find Everything I Need for Process Measurement and Control? **OMEGA...Of Course!**

TEMPERATURE

- ☑ Thermocouple, RTD & Thermistor Probes, Connectors, Panels & Assemblies
- ☑ Wire: Thermocouple, RTD & Thermistor
- ☑ Calibrators & Ice Point References
- ☑ Recorders, Controllers & Process Monitors
- ☑ Infrared Pyrometers

PRESSURE, STRAIN AND FORCE

- ☑ Transducers & Strain Gauges
- ☑ Load Cells & Pressure Gauges
- ☑ Displacement Transducers
- ☑ Instrumentation & Accessories

FLOW/LEVEL

- ☑ Rotameters, Gas Mass Flowmeters & Flow Computers
- ☑ Air Velocity Indicators
- ☑ Turbine/Paddlewheel Systems
- ☑ Totalizers & Batch Controllers

pH/CONDUCTIVITY

- ☑ pH Electrodes, Testers & Accessories
- ☑ Benchtop/Laboratory Meters
- ☑ Controllers, Calibrators, Simulators & Pumps
- ☑ Industrial pH & Conductivity Equipment

DATA ACQUISITION

- ☑ Data Acquisition & Engineering Software
- ☑ Communications-Based Acquisition Systems
- ☑ Plug-in Cards for Apple, IBM & Compatibles
- ☑ Datalogging Systems
- ☑ Recorders, Printers & Plotters

HEATERS

- ☑ Heating Cable
- ☑ Cartridge & Strip Heaters
- ☑ Immersion & Band Heaters
- ☑ Flexible Heaters
- ☑ Laboratory Heaters

ENVIRONMENTAL MONITORING AND CONTROL

- ☑ Metering & Control Instrumentation
- ☑ Refractometers
- ☑ Pumps & Tubing
- ☑ Air, Soil & Water Monitors
- ☑ Industrial Water & Wastewater Treatment
- ☑ pH, Conductivity & Dissolved Oxygen Instruments

OMEGAnetSM On-Line Service
<http://www.omega.com>

Internet e-mail
info@omega.com

Servicing North America:

USA: One Omega Drive, Box 4047
ISO 9001 Certified Stamford, CT 06907-0047
Tel: (203) 359-1660 FAX: (203) 359-7700
e-mail: info@omega.com

Canada: 976 Bergar
Laval (Quebec) H7L 5A1
Tel: (514) 856-6928 FAX: (514) 856-6886
e-mail: canada@omega.com

For immediate technical or application assistance:

USA and Canada: Sales Service: 1-800-826-6342 / 1-800-TC-OMEGASM
Customer Service: 1-800-622-2378 / 1-800-622-BESTSM
Engineering Service: 1-800-872-9436 / 1-800-USA-WHENSM
TELEX: 996404 EASYLINK: 62968934 CABLE: OMEGA

Mexico and Latin America: Tel: (95) 800-TC-OMEGASM FAX: (95) 203-359-7807
En Español: (203) 359-1660 ext: 2203 e-mail: espanol@omega.com

Servicing Europe:

Benelux: Postbus 8034, 1180 LA Amstelveen, The Netherlands
Tel: (31) 20 6418405 FAX: (31) 20 6434643
Toll Free in Benelux: 06 0993344
e-mail: nl@omega.com

Czech Republic: ul. Rude armady 1868, 733 01 Karvina - Hranice
Tel: 420 (69) 6311899 FAX: 420 (69) 6311114
e-mail: czech@omega.com

France: 9, rue Denis Papin, 78190 Trappes
Tel: (33) 130-621-400 FAX: (33) 130-699-120
Toll Free in France: 0800-4-06342
e-mail: france@omega.com

Germany/Austria: Daimlerstrasse 26, D-75392 Deckenpfronn, Germany
Tel: 49 (07056) 3017 FAX: 49 (07056) 8540
Toll Free in Germany: 0130 11 21 66
e-mail: germany@omega.com

United Kingdom: 25 Swannington Road, P.O. Box 7, Omega Drive,
ISO 9002 Certified Broughton Astley, Leicestershire, Irlam, Manchester,
LE9 6TU, England M44 5EX, England
Tel: 44 (1455) 285520 Tel: 44 (161) 777-6611
FAX: 44 (1455) 283912 FAX: 44 (161) 777-6622
Toll Free in England: 0800-488-488
e-mail: uk@omega.com

It is the policy of OMEGA to comply with all worldwide safety and EMC/EMI regulations that apply. OMEGA is constantly pursuing certification of its products to the European New Approach Directives. OMEGA will add the CE mark to every appropriate device upon certification.

The information contained in this document is believed to be correct but OMEGA Engineering, Inc. accepts no liability for any errors it contains, and reserves the right to alter specifications without notice.

WARNING: These products are not designed for use in, and should not be used for, patient connected applications.



This device is marked with the international hazard symbol. It is important to read the Setup Guide before installing or commissioning this device as it contains important information relating to safety and EMC.



WARRANTY/DISCLAIMER

OMEGA ENGINEERING, INC. warrants this unit to be free of defects in materials and workmanship for a period of **13 months** from date of purchase. OMEGA Warranty adds an additional one (1) month grace period to the normal **one (1) year product warranty** to cover handling and shipping time. This ensures that OMEGA's customers receive maximum coverage on each product.

If the unit should malfunction, it must be returned to the factory for evaluation. OMEGA's Customer Service Department will issue an Authorized Return (AR) number immediately upon phone or written request. Upon examination by OMEGA, if the unit is found to be defective it will be repaired or replaced at no charge. OMEGA's WARRANTY does not apply to defects resulting from any action of the purchaser, including but not limited to mishandling, improper interfacing, operation outside of design limits, improper repair, or unauthorized modification. This WARRANTY is VOID if the unit shows evidence of having been tampered with or shows evidence of being damaged as a result of excessive corrosion; or current, heat, moisture or vibration; improper specification; misapplication; misuse or other operating conditions outside of OMEGA's control. Components which wear are not warranted, including but not limited to contact points, fuses, and triacs.

OMEGA is pleased to offer suggestions on the use of its various products. However, OMEGA neither assumes responsibility for any omissions or errors nor assumes liability for any damages that result from the use of its products in accordance with information provided by OMEGA, either verbal or written. OMEGA warrants only that the parts manufactured by it will be as specified and free of defects. OMEGA MAKES NO OTHER WARRANTIES OR REPRESENTATIONS OF ANY KIND WHATSOEVER, EXPRESSED OR IMPLIED, EXCEPT THAT OF TITLE, AND ALL IMPLIED WARRANTIES INCLUDING ANY WARRANTY OF MERCHANTABILITY AND FITNESS FOR A PARTICULAR PURPOSE ARE HEREBY DISCLAIMED. LIMITATION OF LIABILITY: The remedies of purchaser set forth herein are exclusive and the total liability of OMEGA with respect to this order, whether based on contract, warranty, negligence, indemnification, strict liability or otherwise, shall not exceed the purchase price of the component upon which liability is based. In no event shall OMEGA be liable for consequential, incidental or special damages.

CONDITIONS: Equipment sold by OMEGA is not intended to be used, nor shall it be used: (1) as a "Basic Component" under 10 CFR 21 (NRC), used in or with any nuclear installation or activity; or (2) in medical applications or used on humans. Should any Product(s) be used in or with any nuclear installation or activity, medical application, used on humans, or misused in any way, OMEGA assumes no responsibility as set forth in our basic WARRANTY/DISCLAIMER language, and additionally, purchaser will indemnify OMEGA and hold OMEGA harmless from any liability or damage whatsoever arising out of the use of the Product(s) in such a manner.

RETURN REQUESTS / INQUIRIES

Direct all warranty and repair requests/inquiries to the OMEGA Customer Service Department. BEFORE RETURNING ANY PRODUCT(S) TO OMEGA, PURCHASER MUST OBTAIN AN AUTHORIZED RETURN (AR) NUMBER FROM OMEGA'S CUSTOMER SERVICE DEPARTMENT (IN ORDER TO AVOID PROCESSING DELAYS). The assigned AR number should then be marked on the outside of the return package and on any correspondence.

The purchaser is responsible for shipping charges, freight, insurance and proper packaging to prevent breakage in transit.

FOR **WARRANTY** RETURNS, please have the following information available BEFORE contacting OMEGA:

1. P.O. number under which the product was PURCHASED,
2. Model and serial number of the product under warranty, and
3. Repair instructions and/or specific problems relative to the product.

FOR **NON-WARRANTY** REPAIRS, consult OMEGA for current repair charges. Have the following information available BEFORE contacting OMEGA:

1. P.O. number to cover the COST of the repair,
2. Model and serial number of product, and
3. Repair instructions and/or specific problems relative to the product.

OMEGA's policy is to make running changes, not model changes, whenever an improvement is possible. This affords our customers the latest in technology and engineering.

OMEGA is a registered trademark of OMEGA ENGINEERING, INC.

© Copyright 1997 OMEGA ENGINEERING, INC. All rights reserved. This document may not be copied, photocopied, reproduced, translated, or reduced to any electronic medium or machine-readable form, in whole or in part, without prior written consent of OMEGA ENGINEERING, INC.

PATENT NOTICE: This product is covered by one or more of the following patents: U.S. PAT. 336,895/France 91 12756 /U.K. REGISTERED 2248954.

MANUAL OBJECTIVE

This manual shows you how to set up and use the thermistor indicator/controller (INFCH).

Table A-1. Sections of the Manual

If you want to read about:	Sec#	Refer to section
Unpacking; safety considerations	1	Introduction
Meter description and features	2	About the Meter
Main board power jumpers; panel mounting, sensor input, main power and analog output option and dual relay output option	3	Getting Started
Input type; decimal point position; reading configuration: setpoint configurations; setpoint deadbands, output configuration (analog output option); analog output option scaling, lock out configuration	4	Configuring the Meter
Display messages	5	Display Messages
Meter menu/sub-menu messages	6	Menu Configuration
Setpoint configuration messages	7	Setpoint Configuration Displays
Specifications	8	Specifications

NOTES, WARNINGS and CAUTIONS

Information that is especially important to note is identified by three labels:

- * **NOTE**
- * **WARNING**
- * **CAUTION**

NOTE: provides you with information that is important to successfully setup and use the INFCH.

CAUTION: tells you of circumstances or practices that can effect the meter's functionality.

WARNING: tells you of circumstances or practices that can lead to personal injury as well as damage to equipment.

Table of Contents

Section		Page
SEC 1	INTRODUCTION	1
	1.1 Unpacking	1
	1.2 Safety Considerations	2
SEC 2	ABOUT THE METER	3
	2.1 Description	3
	2.2 Features	3
	2.3 Available Accessories	4
	2.4 Front of the Meter	5
	2.5 Front-Panel Button Lock Out	8
	2.6 Back of the Meter	9
	2.7 Disassembly	11
SEC 3	GETTING STARTED	12
	3.1 Rating/Product Label	12
	3.2 Checking Main Board Power Jumpers	12
	3.3 Connecting Main Power	15
	3.4 Connecting Analog and Relay Output Options	17
	3.5 Mounting the Meter	18
	3.6 Connecting Sensor Input	19
SEC 4	CONFIGURING THE METER	20
	4.1 Selecting the Input Type	20
	4.2 Selecting a Decimal Point Position	21
	4.3 Using Reading Configuration	21
	4.4 Using Setpoint 1 Configurations	22
	4.4.1 Setting Setpoint 1's Active Band	22
	4.4.2 Selecting if Setpoint 1 is Latched or Unlatched	23
	4.5 Using Setpoint 2 Configurations	23
	4.5.1 Setting Setpoint 2's Active Band	23
	4.5.2 Selecting if Setpoint 2 is Latched or Unlatched	24

Table of Contents

Section		Page
4.6	Setting the Setpoint 1 Deadband24
4.7	Setting the Setpoint 2 Deadband25
4.8	Using Output Configuration25
4.8.1	Enabling or Disabling the Analog Output Option25
4.8.2	Selecting the Analog Output Option as Current or Voltage26
4.9	Using Output Scale and Offset27
4.9.1	Example for Output Scale and Offset29
4.10	Correcting Thermistor Temperature Offset Error31
SEC 5	SELECTING SETPOINT VALUES34
SEC 6	DISPLAY MESSAGES35
SEC 7	MENU CONFIGURATION DISPLAYS36
SEC 8	SETPOINT CONFIGURATION DISPLAYS39
SEC 9	SPECIFICATIONS40
SEC 10	FACTORY PRESET VALUES44

SECTION 1. INTRODUCTION

1.1 UNPACKING

Remove the Packing List and verify that all equipment has been received. If there are any questions about the shipment, contact the NEWPORT Customer Service at 1-800-NEWPORT or (714) 540-4914.

Upon receipt of shipment, inspect the container and equipment for any signs of damage. Take particular note of any evidence of rough handling in transit. Immediately report any damage to the shipping agent.

NOTE: The carrier will not honor any claims unless all shipping material is saved for their examination. After examining and removing contents, save packing material and carton in the event reshipment is necessary.

Verify that you receive the following items in the shipping box:

QTY	DESCRIPTION
1	INFCH indicator/controller with all applicable connectors attached.
1	INFCH Owner's Manual
1	Set of mounting brackets

1.2 SAFETY CONSIDERATIONS

The meter is protected in accordance with Class I of IEC 348 and VDE 0411. To provide safe operation remember that the meter has no power-on switch, so it will be in operation as soon as you apply power.

CAUTION: Do not expose your meter to rain or condensing moisture. Do not operate your meter in flammable or explosive atmospheres. As with any electronic instrument, you may encounter high voltage exposure when installing, calibrating or removing parts.

SECTION 2. ABOUT THE METER

2.1 DESCRIPTION

The INFCH thermistor indicator/controller converts the resistance of a thermistor probe to the equivalent temperature. The meter can be configured to use eight of the available thermistor probe types. There are four full digits to display temperature in Fahrenheit or Celsius. Maximum and minimum temperature values are retained and can be displayed or reset with the push of a front panel button. Two optional setpoints are available to control internal form C relays for process control. An optional analog output is available to send a scaled proportional voltage or current to a remote device. A internal mechanical lockout has been included to guard against unauthorized changes.

2.2 FEATURES

Standard features:

- * 4-digit 14-segment LED display
- * $\pm 2^{\circ}\text{C}$ accuracy
- * $\pm 1^{\circ}\text{C}$ repeatability
- * 44004, 44005, 44006, 44007, 44008, 44016, 44018 and linear 700 thermistor types
- * Peak and valley detection and memory
- * Nonvolatile memory for configuration settings
- * Easy setup for proportional control
- * 115 or 230 Vac 50/60 Hz power supply
- * NEMA-4 front panel cover
- * $.01^{\circ}\text{C}/\text{F}$ resolution
- * Front panel push button lock out

Optional features (must be ordered at time of purchase):

- * Dual 6 amp, form C relay outputs
- * Scalable analog output

2.3 AVAILABLE ACCESSORIES

Table 2-1. Accessories and Add-Ons

Add-On Options	FS	Special Calib/Config
	SPC4	NEMA-4 Splash Proof Cover
	SPC18	NEMA-4 Splash Proof Cover, NEW
Accessories	TP1A	Trimplate panel adaptor. Adapts DIN1A/DIN2A cases to larger panel cutouts
	RP18	19-In. Rack Panel for one (1) 1/8 DIN instrument
	RP28	19-In. Rack Panel for two (2) 1/8 DIN instrument
	RP38	19-In. Rack Panel for three (3) 1/8 DIN instrument

2.4 FRONT OF THE METER

Figure 2-1 shows the front of the meter.

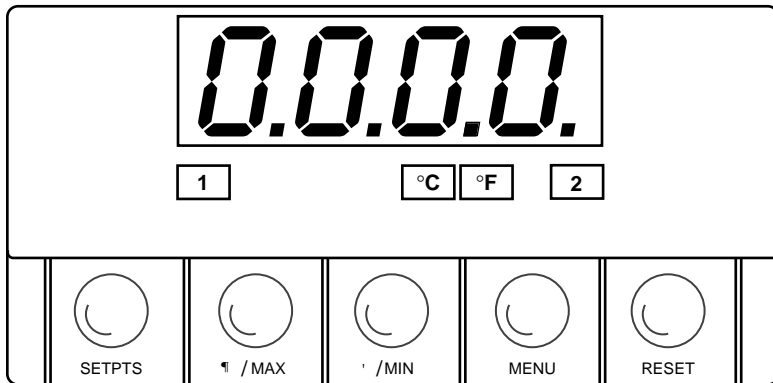


Figure 2-1. Front-Panel

METER DISPLAY:

Digital LED display - 1.9.9.9. or 9.9.9.9. 4-digit 14 segment, 0.54" high LED display with programmable decimal point.

These meter display windows light when appropriate (setpoints 1 and 2 light only if your meter has dual relay output capabilities):

- 1 Setpoint 1 status
- 2 Setpoint 2 status
- °C Celsius
- °F Fahrenheit

2.4 FRONT OF THE METER (Continued)

METER BUTTONS

SETPTS BUTTON - If your meter does not have dual relay output capabilities, pressing this button displays "RUN" and goes back to the run mode.

If your meter has dual relay output capabilities, this button will sequentially recall (in the run mode) the previous setpoint settings. As necessary, use the **▲/MAX** and **▶/MIN** buttons to alter these settings, then press the **SETPTS** button to store new values. Unless you press the **SETPTS**, **▶/MIN**, or **▲/MAX** button within 20 seconds, the meter will scroll to setpoint 2 and then to the run mode.

▲/MAX BUTTON - In the run mode, this button will recall the **PEAK** reading since the last press of the **RESET** button.

In the configuration mode, press this button to change the value of the flashing digit shown on the display and/or toggle between menu choices, such as "**R.1=F**" or "**R.1=C**". When configuring your setpoint values, press the **▲/MAX** button to advance the flashing digit's value from 0 to 9 by 1.

▶/MIN BUTTON - In the run mode, press this button to recall the valley reading since the last press of the **RESET** button.

In the configuration mode, press this button to scroll to the next digit.

2.4 FRONT OF THE METER (Continued)

MENU BUTTON - In the run mode, press the **MENU** button to terminate the current measuring process and enter you into the configuration mode.

In the configuration mode, press the **MENU** button to store changes in the nonvolatile memory and advance you to the next menu item.

RESET BUTTON - In the setpoint mode, press the **RESET** button to enter the run mode. The meter shows "**RUN**" and returns to the run mode.

In the configuration mode, press the **RESET** button to review the previous menu. Press the **RESET** button twice to perform a hard reset. The meter shows "**RST**", followed by "**INIT**", then enters the run mode.

In the peak mode, press the **RESET** button to reset peak value. The meter shows "**PK.RS**" and returns to the run mode.

In the valley mode, press the **RESET** button to reset valley value. The meter shows "**VL.RS**" and returns to the run mode.

In the run mode, if your meter does not have dual relay output capabilities, pressing the **RESET** button shows "RUN" and goes back to the run mode. If your meter has dual relay output capabilities, press the **RESET** button (in the run mode) to reset the latched setpoints. The meter shows "**SP.RS**" and returns to the run mode.

***NOTE:** When in setpoint or configuration mode, if the meter shows 9999 or -1999 with all flashing digits, the value has overflowed. Press the **▲/MAX** button to start a new value.*

2.5 FRONT-PANEL BUTTON LOCK OUT (For Security Purposes)

2.5.1 Jumper Lock Out

To lock all front-panel buttons, remove the S3-A jumper (refer to Figure 3-2).

To lock the **MENU** button only, verify that the S3-B jumper is removed, then install the S3-A and S3-E jumpers (refer to Table 3-1). If you press the **MENU** button, the meter shows "LOCK" and returns to the run mode.

2.5.2 Push Button Lock Out

To lock the **RESET**, **MENU** and **SETPTS** buttons, verify that the S3-A jumper is installed and the S3-E jumper is not installed, then follow these steps:

In the run mode -

1. Press and hold down **RESET** button. The meter shows "**SP.RS**" or "**RUN**". Do not release the **RESET** button.
2. Press the **MENU** button and hold **RESET** button down (3 - 5 seconds) until the meter shows "**LOCK**".
3. Release both buttons.

To unlock the **RESET**, **MENU** and **SETPTS** buttons, follow these steps:

1. Press and hold down **RESET** button. The meter shows "**LOCK**". Do not release the **RESET** button.
2. Press the **MENU** button and hold **RESET** button down (3 - 5 seconds) until the meter shows "**UN.LK**".
3. Release both buttons.

2.5 BACK OF THE METER

Figure 2-2 shows the connectors on the back of the meter. Table 2-2 on the following page gives a brief description of each connector at the back of the meter.

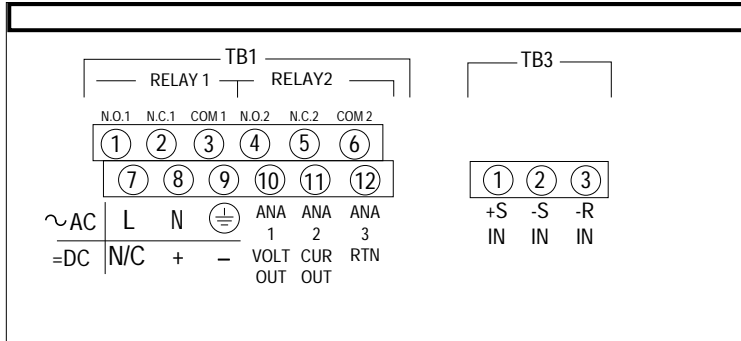


Figure 2-2. Connectors

2.6 BACK OF THE METER (Continued)

Table 2-2. Connector Description

Connector	Description
TB1-1	Setpoint 1: Normally open (N.O.1) connection.
TB1-2	Setpoint 1: Normally closed (N.C.1) connection.
TB1-3	Setpoint 1: Common 1 connection
TB1-4	Setpoint 2: Normally open (N.O.2) connection.
TB1-5	Setpoint 2: Normally closed (N.C.2) connection.
TB1-6	Setpoint 2: Common 2 connection
TB1-7	ac line connection (no connection on dc powered units)
TB1-8	ac neutral connection (+ Input on dc powered units)
TB1-9	ac ground (dc power return on dc powered units)
TB1-10	Analog 1 voltage output
TB1-11	Analog 2 current output
TB1-12	Analog 3 return
TB3-1	+S Thermistor input
TB3-2	-S Thermistor input
TB3-3	+R 3rd Input for linear thermistor

2.7 DISASSEMBLY

You may need to open up the meter for one of the following reasons:

- * To check or change the 115 or 230 Vac power jumpers.
- * To install or remove jumpers on the main board.

To remove and access the main board, follow these steps:

1. Disconnect the main power from the meter.
2. Remove the back case cover.
3. Lift the back of the main board upwards and slide it out of the case.

SECTION 3. GETTING STARTED

The meter has no power-on switch, so it will be in operation as soon you apply power. If you power off/on the meter, it displays "**RST**", followed by a scrolling display of "**THERMISTOR**" , followed by "**Vxx**" (designating the version number, xx stands for the current version). Write down this version number as you will need it if you telephone Customer Service.

3.1 RATING/PRODUCT LABEL

This label is located on top of the meter housing.

3.2 CHECKING MAIN BOARD POWER JUMPERS (Factory Set)

To check voltage jumpers, or to change from 115 V to 230 V ac:

1. Remove the main board from the case. Refer to Section 2.7.
2. Locate the solder jumpers W1, W2, and W3 (located near the edge of the main board alongside the transformer - refer to Figures 3-1).
3. If your power requirement is **115 Vac, solder jumpers W1 and W3 should be wired, but jumper W2 should not.** If your power requirement is **230 Vac, solder jumper W2 should be wired, but jumpers W1 or W3 should not.**

NOTE: *W4 jumper is not used.*

3.2 CHECKING MAIN BOARD POWER JUMPERS (Continued)

Figure 3-1 shows the location of solder jumpers W1 through W3.

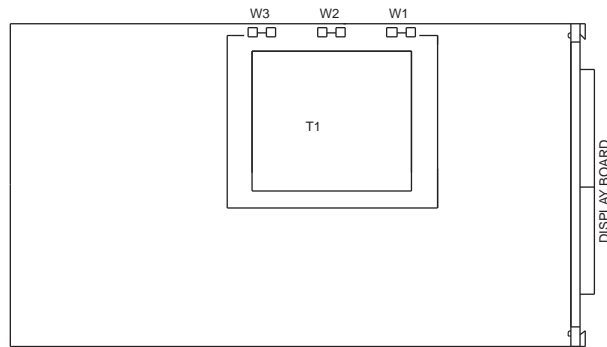


Figure 3-1. Main Board Power Jumpers (W1, W2, W3).

Figure 3-2 shows the location jumper positions on the main board.

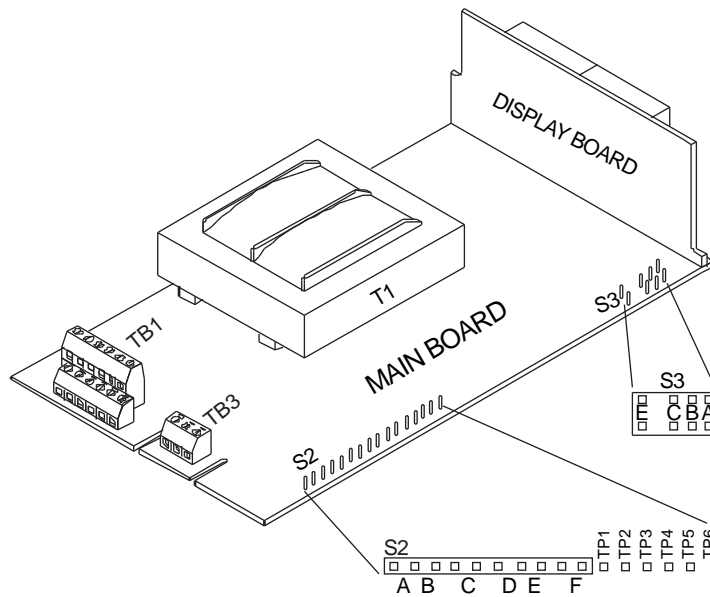


Figure 3-2. Main Board Jumper Positions.

3.2 CHECKING MAIN BOARD POWER JUMPERS (Continued)

S2 jumpers and TP1 through TP6 (test posts) are used for calibration purposes only. Do not change.

S3 jumpers are used for the following (refer to Table 3-1):

- * To enable or disable the front panel push-buttons
- * To allow for an extremely low resistance load for analog output
- * To disable the MENU button
- * To perform calibration procedure

Table 3-1. S3 Jumper Functions

Jumper	Description
S3-A	Install to enable front panel push-buttons. Remove to disable all front panel push-buttons
S3-B	Removed. Install for meter calibration.
S3-C	Normally removed. Install for analog voltage output when load has less than 1 K Ω impedance. Care should be taken when installing this jumper, as there is the possibility of oscillation.
S3-E	If installed without S3-B, the MENU button locks out. If you press the MENU button, the meter shows " LOCK ".

3.3 CONNECTING MAIN POWER

Figure 3-3 shows the proper ac main power connections:

WARNING: Do not connect ac power to your meter until you have completed all input and output connections. Failure to do so may result in injury!

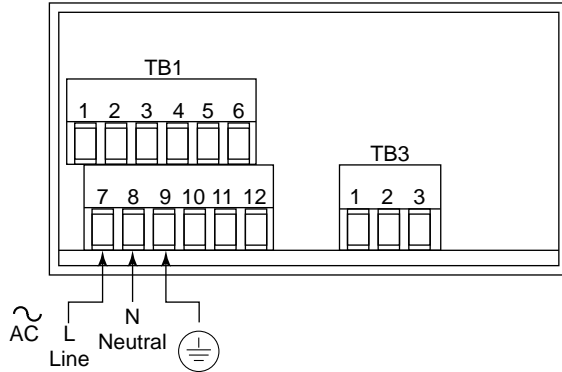


Figure 3-3. Main Power Connections

Table 3-2 shows the wire color and respective terminal connections for both USA and Europe.

Table 3-2. Power Connections

ac Power	Wire Colors	
	Europe	USA
ac (High) Line	Brown (Line)	Black (Hot)
ac (Low) Neutral	Blue (Neutral)	White (Return)
ac (Gnd) Ground	Green/Yellow	Green (Earth)

3.3 CONNECTING MAIN POWER

Connect the dc main power connections as shown in Figure 3-4.

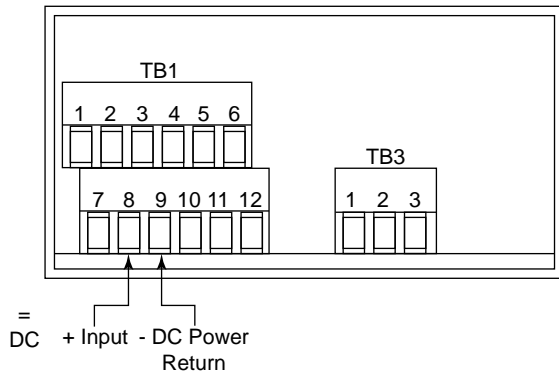


Figure 3-4. Main Power Connections (dc)

If experiencing EMC problems, connect the power supply to earth ground.

3.4 CONNECTING ANALOG AND RELAY OUTPUT OPTIONS

If applicable, connect your analog and dual relay outputs at the back of the meter as shown in Figures 3-5 and 3-6 .

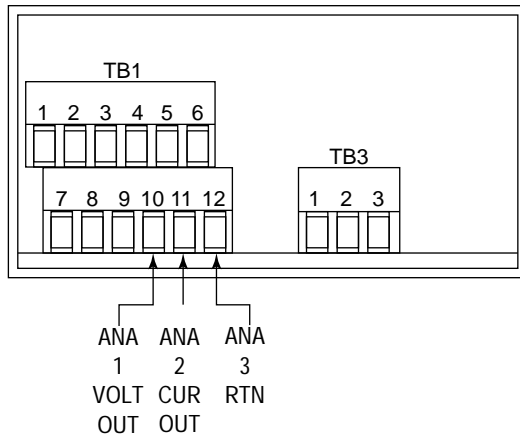


Figure 3-5. Analog Output Connections

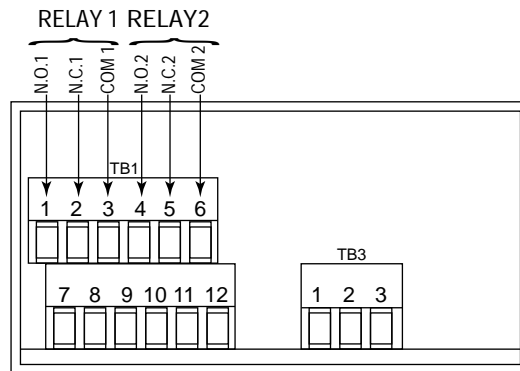


Figure 3-6. Dual Relay Output Connections

3.5 MOUNTING THE METER

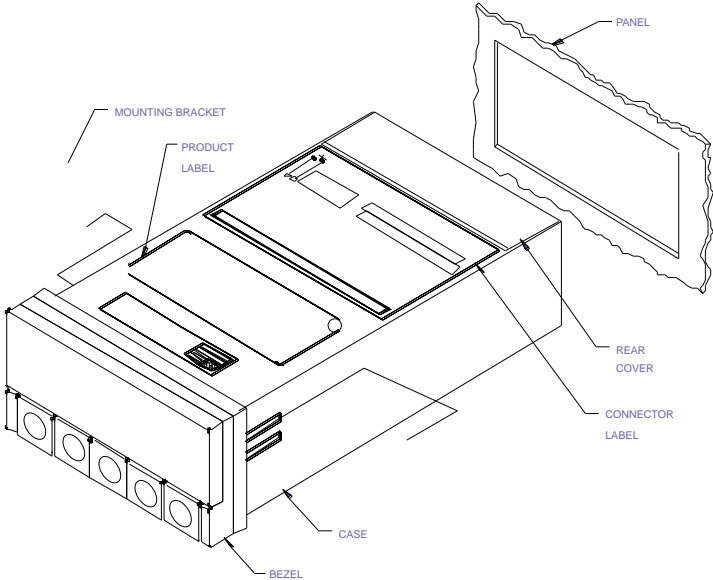


Figure 3-7. Meter - Exploded View

1. Cut a hole in your panel, as shown in Figure 3-7. For specific dimensions refer to Figure 3-8.
2. Insert the meter into the hole. Be sure the front bezel is flush to the panel.

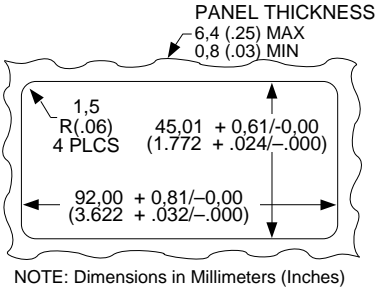


Figure 3-8. Panel Cut-Out

3. Proceed to Section 3.6 to connect your sensor input and main power.

3.6 CONNECTING SENSOR INPUT

Figure 3-9 illustrates how to connect your sensors.

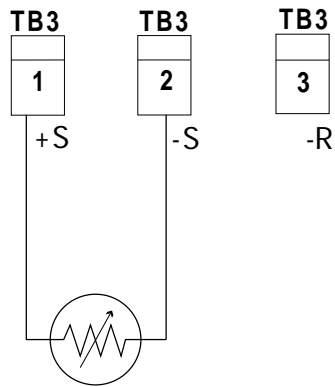


Figure 3-9. Input Connection for 400 Series

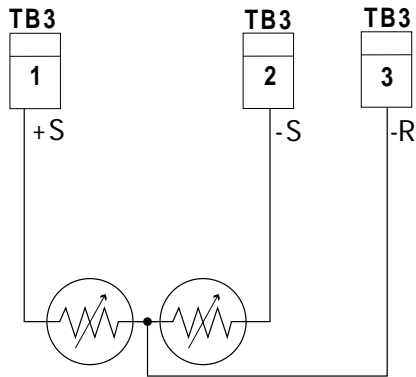


Figure 3-10. Input Connection for 700 Series (3-Wire)

SECTION 4. CONFIGURING THE METER

Read this section for step-by-step procedures on configuring your meter. For a summary of menu configurations, refer to Table 6-1. Some menu items do not display if your meter does not have analog output or dual relay output capabilities. These menu items are noted accordingly in the following subsections. Factory defaults are in bold and italics.

4.1 SELECTING THE INPUT TYPE ("INPT")

To select your appropriate input type signal, follow these steps:

1. Press the **MENU** button. The meter shows **"INPT"**.
2. Press the **▶/MIN** button. The meter shows one of the following (default is ***4004***):

- * "4004" = 44004
- * "4005" = 44005
- * "4006" = 44006
- * "4007" = 44007
- * "4008" = 44008
- * "4016" = 44016
- * "4018" = 44018
- * "700" = Linear 3-Wire

3. Press the **▲/MAX** button to scroll through available choices.
4. Press the **MENU** button to store your choice. The meter momentarily shows **"STRD"**, followed by **"DEC.P"** (Decimal Point).

4.2 SELECTING A DECIMAL POINT POSITION ("DEC.P")

To select a decimal point display position, follow these steps:

1. Press the **MENU** button until the meter shows "**DEC.P**".
2. Press the **▶/MIN** button. The meter shows one of the following:
 - * "**FFFF.**" - default
 - * "**FFF.F**"
 - * "**FF.FF**"
3. Press the **▲/MAX** button to scroll between available choices.
4. Press the **MENU** button to store your choice. The meter momentarily shows "**STRD**", followed by "**RD.CF**" (Reading Configuration).

***NOTE:** When you change the decimal position the meter adjusts setpoint values and setpoint deadbands. These adjustments are made according to the new decimal point. If one or more of these values overflow, the meter flashes "**ER2**" when you store new decimal point position value.*

4.3 USING READING CONFIGURATION ("RD.CF")

To select if the meter shows in Fahrenheit or Celsius, follow these steps:

1. Press the **MENU** button until the meter shows "**RD.CF**".
2. Press the **▶/MIN** button. The meter shows one of the following:
 - * "**R.1=F**" *Fahrenheit* - default
 - * "**R.1=C**" Celsius

4.3 USING READING CONFIGURATION ("RD.CF") (Continued)

3. Press the ▲/MAX button to toggle between available choices.
4. Press the MENU button to store your choice. The meter momentarily shows "STRD", followed by "S1.CF" (Setpoint 1 Configuration).

4.4 USING SETPOINT 1 CONFIGURATIONS ("S1.CF")

Setpoint 1 Configurations display only if your meter has dual relay output capabilities. You may use Setpoint 1 Configuration ("S1.CF") for the following:

- * To set setpoint 1's active band above or below your chosen value
- * To select whether setpoint 1's operation is latched or unlatched

4.4.1 Setting Setpoint 1's Active Band

1. Press the MENU button until the meter shows "S1.CF".
2. Press the ►/MIN button. The meter shows one of the following:
 - * "S.I=A" *Active above setpoint* - default
 - * "S.1=B" *Active below setpoint*
3. Press the ▲/MAX button to toggle between available choices.
4. Press the ►/MIN button to select if setpoint 1 is latched or unlatched **or** press the MENU button to store your selection and enter "S2.CF" (Setpoint 2 configurations).

4.4.2 Selecting if Setpoint 1 is Latched or Unlatched

1. Press the ►/MIN button. The meter shows one of the following:
 - * "S.2=L" Setpoint 1 to be latched
 - * " S.2=U " *Setpoint 1 to be unlatched* - default
2. Press the ▲/MAX button to toggle between available choices.
3. Press the MENU button to store your choice(s). The meter momentarily shows "STRD", followed by "S2.CF" (Setpoint 2 Configuration).

4.5 USING SETPOINT 2 CONFIGURATIONS ("S2.CF")

Setpoint 2 Configurations display only if your meter has dual relay output capabilities. You may use Setpoint 2 Configuration ("S2.CF") for the following:

- * To set setpoint 2's active band above or below your chosen value
- * To select whether setpoint 2's operation is latched or unlatched

4.5.1 Setting Setpoint 2's Active Band

1. Press the MENU button until the meter shows "S2.CF".
2. Press the ►/MIN button. The meter shows one of the following:
 - * " S.1=A " *Active above the setpoint* - default
 - * "S.1=B" Active below the setpoint
3. Press the ▲/MAX button to toggle between available choices.
4. Press the ►/MIN button to select if setpoint 1 is latched or unlatched **or** press the MENU button to store your selection and enter "S1.DB" (Setpoint 1 Deadband).

4.5.2 Selecting if Setpoint 2 is Latched or Unlatched

1. Press the ►/MIN button. The meter shows one of the following:
 - * "S.2=L" Setpoint 1 to be latched
 - * " S.2=U " *Setpoint 1 to be unlatched* - default
2. Press the ▲/MAX button to toggle between available choices.
3. Press the MENU button to store your selection(s). The meter momentarily shows "STRD", followed by "S1.DB" (Setpoint 1 Deadband).

4.6 SETTING THE SETPOINT 1 DEADBAND ("S1.DB")

Setpoint 1 Deadband displays only if your meter has dual relay output capabilities. Factory default deadband is 003. To change the deadband (hysteresis) of setpoint 1, follow these steps:

1. Press the MENU button until the meter shows "S1.DB".
2. Press the ►/MIN button. The meter shows the last stored number (0000 through 9999) with flashing 4th digit.
3. Press the ▲/MAX button to change the value of the flashing digit. If you continue to press the _/MAX button, the flashing digit's value continues to change.
4. Press the ►/MIN button to scroll to the next digit.
5. Press the MENU button to store your selection. The meter momentarily shows "STRD" , followed by "S2.DB" (Setpoint 2 Deadband).

4.7 SETTING THE SETPOINT 2 DEADBAND ("S2.DB")

Setpoint 2 Deadband displays only if your meter has dual relay output capabilities. Factory default deadband is 003. To change the deadband (hysteresis) of setpoint 2, follow these steps:

1. Press the **MENU** button until the meter shows "**S2.DB**".
2. Press the **▶/MIN** button. The meter shows the last stored number (0000 through 9999) with flashing 4th digit.
3. Press the **▲/MAX** button to change the value of the flashing digit. If you continue to press the **▲/MAX** button, the flashing digit's value continues to change.
4. Press the **▶/MIN** button to scroll to the next digit.
5. Press the **MENU** button to store your selection. The meter momentarily shows "**STRD**", followed by "**OT.CF**" (Output Configuration).

4.8 USING OUTPUT CONFIGURATION ("OT.CF")

Output Configuration displays only if your meter has analog output capabilities. Use Output Configuration ("**OT.CF**") to select the following:

- * To enable or disable the analog output
- * To determine if the analog output is current or voltage

4.8.1 Enabling or Disabling the Analog Output

To enable or disable the analog output, follow these steps:

1. Press the **MENU** button until the meter shows "**OT.CF**".

4.8.1 Enabling or Disabling the Analog Output (Continued)

2. Press the ►/MIN button. The meter shows one of the following:
 - * "O.1=D" Analog output disabled
 - * " ***O.1=E*** " *Analog output enabled* - default
3. Press the ▲/MAX button to toggle between available choices.
4. Press the ►/MIN button to select the analog output as current/voltage **or** press the MENU button to store your selection (the meter momentarily shows "STRD" , followed by "OT.S.O" , Output Scale and Offset - refer to Section 4.11).

4.8.2 Selecting the Analog Output as Current or Voltage

Remember that Output Configuration displays **only** if your meter has analog output capabilities.

1. Press the ►/MIN button. The meter shows one of the following:
 - * "O.2=V" Analog output = voltage
 - * " ***O.2=C*** " *Analog output = current* - default
2. Press the ▲/MAX button to toggle between available choices.
3. Press the ►/MIN button to go back to selecting analog output as enabled or disabled **or** press the MENU button to store your choices (the meter momentarily shows "STRD" , followed by "OT.S.O" , Output Scale and Offset).

4.9 USING OUTPUT SCALE AND OFFSET ("OT.S.O")

Output Scale and Offset displays only if your meter has analog output capabilities. Output Scale and Offset ("OT.S.O") scales your analog output option to be equal to the meter's display and/or any engineering units you require. You may scale the output for direct (4-20 mA, 0-10 V, etc) or reverse acting (20-4 mA, 10-0 V, etc).

1. Press the **MENU** button until the meter shows "**OT.S.O**".
2. Press the **▶/MIN** button. The meter shows "**RD 1**" (Read 1).

Note: This is your first point of display reading.

3. Press the **▶/MIN** button again. The meter shows the last stored number (-1999 through 9999) with flashing 4th digit.
4. Press the **▲/MAX** button to change the value of Read 1.
5. Press the **▶/MIN** button to scroll to the next digit.
6. Press the **MENU** button to store your selection. The meter shows "**OUT.1**" (Output 1). *Note: This starting analog signal corresponds to your Read 1 display.*
7. Press the **▶/MIN** button. The meter shows the selected output.
Note: If you select "0.2=V" for voltage, the maximum signal you may select is 10.00 for an 0-10 Vdc signal output. If you select "0.2=C" for current, the maximum signal you may select is 20.00 for 0-20 or 4-20 mA dc signal output.
8. Press the **▲/MAX** button to enter the output 1 signal selection. If you continue to press the **▲/MAX** button, the flashing digit's value continues to change.

4.9 USING OUTPUT SCALE AND OFFSET ("OT.S.O") (Continued)

9. Press the ►/MIN button to scroll to the next digit.
10. Press the MENU button to store your selection. The meter shows "RD 2" (Read 2). *Note: This is your second point of display reading.*
11. Press the ►/MIN button. The meter shows the last stored number (-1999 through 9999) with flashing 4th digit.
12. Press the ▲/MAX button to change the value of the flashing digit. If you continue to press the ▲/MAX button, the flashing digit's value continues to change.
13. Press the ►/MIN button to scroll to the next digit.
14. Press the MENU button to store your selection. The meter shows "OUT.2" (Output 2). *Note: This analog signal should correspond to your Read 2 display.*
15. Press the ►/MIN button. The meter shows the selected output.
Note: If you select "0.2=V" for voltage, the maximum signal you may select is 10.00 for an 0-10 Vdc signal output. If you select "0.2=C" for current, the maximum signal you may select is 20.00 for a 0-20 or 4-20 mA dc signal output.

4.9 USING OUTPUT SCALE AND OFFSET ("OT.S.O") (Continued)

16. Press the ▲/MAX button to change the value of the flashing digit. If you continue to press the ▲/MAX button, the flashing digit's value continues to change.
17. Press the ►/MIN button to scroll to the next digit.
18. Press the MENU button to store your selection. The meter momentarily shows "STRD" , followed "TH.OF" .

CAUTION: If the meter shows all flashing values on any item, the value has overflowed. Press the ▲/MAX button to start new values.

4.9.1 Example for Output Scale and Offset

You want to send 4-20 mA output for 32.0° to 212.0°F. The meter has .1 degree resolution. Complete the following steps:

1. Press the MENU button until the meter shows "OT.S.O".
2. Press the ►/MIN button. The meter shows "RD 1" (Read 1).
3. Press the ►/MIN button again to show the existing value.
4. Change the value of "RD 1" to 32.0 by pressing the ▲/MAX and the ►/MIN buttons.

4.9.1 Example for Output Scale and Offset

5. Press the **MENU** button to store your selection. The meter shows "**OUT.1**" (Output 1).
6. Press the **▶/MIN** button again to show the existing value.
7. Change the value of "**OUT.1**" to 04.00 by pressing the **▲/MAX** and the **▶/MIN** buttons.
8. Press the **MENU** button to store your selection. The meter shows "**RD 2**" (Read 2).
9. Press the **▶/MIN** button to show the existing value.
10. Change the value of "**RD 2**" to 212.0 by pressing the **▲/MAX** and the **▶/MIN** buttons.
11. Press the **MENU** button to store your selection. The meter shows "**OUT.2**" (Output 2).
12. Press the **▶/MIN** button to show the existing value.
13. Change the value of "**OUT.2**" to 20.00 by pressing the **▲/MAX** and the **▶/MIN** buttons.
14. Press the **MENU** button to store your selection. The meter shows "**STRD**" .

4.10 CORRECTING THERMISTOR TEMPERATURE OFFSET ERROR ("TH.OF")

Before You Correct the Thermistor Temperature Offset

Thermistor Temperature Offset Error Correction enables you to compensate for temperature offset error due to the thermistor transducer:

Thermistor temperature curves are highly nonlinear, therefore take care in obtaining the offset error (which is mainly due to the probe lead resistance). To obtain the best and most accurate result, study the following tables. Determine your input type and check the corresponding maximum permissible offset error and equivalent lead resistance.

Table 1. Maximum Correctable Offset Error
and Equivalent Lead Resistance
44004, 44005 and 44006 Input Types

#	Temperature	44004		44005		44006	
		°C (°F)	Ohm	°C (°F)	Ohm	°C (°F)	Ohm
2	60°C (140°F)	1(1.8)	20	.7(1.26)	20	.20(.36)	20
3	80°C (176°F)	1(1.8)	9	1(1.8)	12	.5(.9)	20
4	100°C (212°F)	1(1.8)	4.5	1(1.8)	6	1(1.8)	20
5	120°C (248°F)	1(1.8)	2.3	1(1.8)	3.1	1(1.8)	12
6	140°C (284°F)	2(3.6)	2.6	1.5(2.7)	2.7	1(1.8)	7

4.10 CORRECTING THERMISTOR TEMPERATURE OFFSET ERROR ("TH.OF") (Continued)

Table 2. Maximum Permissible Offset Error and Equivalent Lead Resistance
44007, 44008 and 44016 Input Types

#	Temperature	44007		44008		44016	
		°C (°F)	Ohm	°C (°F)	Ohm	°C (°F)	Ohm
2	60°C (140°F)	.5(.9)	20	-	-	.2(.36)	20
3	80°C (176°F)	1(1.8)	20	.2(.36)	20	.5(.9)	20
4	100°C (212°F)	1(1.8)	10	.3(.54)	20	1(1.8)	20
5	120°C (248°F)	1(1.8)	5	.6(1.0)	20	1(1.8)	10
6	140°C (284°F)	1(1.8)	2.9	1(1.8)	17	1(1.8)	6

Table 3. Maximum Permissible Offset Error and Equivalent Lead Resistance:
44018 Input Type

#	Temperature	44018/700	
		°C (°F)	Ohm
2	60°C (140°F)	-	-
3	80°C (176°F)	1(1.8)	147
4	100°C (212°F)	1(1.8)	88
5	120°C (248°F)	-	-
6	140°C (284°F)	-	-

4.10 CORRECTING THERMISTOR TEMPERATURE OFFSET ERROR ("TH.OF") (Continued)

The following steps enable you to calibrate for the offset.

1. Press the **MENU** button until the meter shows "**TH.OF**".
2. Press the **▶/MIN** button. The meter will show the previous offset value (4th digit flashes).
3. Press the **▶/MIN** button again. The meter will show the reading temperature (no digits flash).
4.
 - a. If the value is correct, press the **MENU** button. The meter will show "**STRD**" and 0 value will be entered at the offset.
 - b. If the value is not correct, enter the actual temperature using the **▲/MAX** and the **▶/MIN** buttons.
5. Press the **MENU** button to store new reading temperature.

NOTE 1: Select a higher temperature for a more accurate result.

NOTE 2: If values are greater than the maximum correctable offset error the meter will flash "ER" and will not store the new values.

NOTE 3: Temperature unit is either Celsius or Fahrenheit and always displays at 0.01 degree resolution and automatically changes to .1 degree resolution if necessary.

SECTION 5. SELECTING SETPOINT VALUES

If your meter has dual relay output capabilities, follow the steps below to select values for Setpoint 1 and Setpoint 2.

1. Press the **SETPTS** button. The meter momentarily shows "**SP1**" (Setpoint 1), followed by the last stored value with flashing 4th digit. The factory default for "**SP1**" is 000.0.
2. Press the **▲/MAX** button to change the value of Setpoint 1.
3. Press the **▶/MIN** button to scroll to the next digit.
4. Press the **SETPTS** button to store your selection. The meter momentarily shows "**SP2**" (Setpoint 2), followed by the last stored value with flashing 4th digit. The factory default for "**SP2**" is 000.0.
5. Press the **▲/MAX** button to change the value of Setpoint 2.
6. Press the **▶/MIN** button to scroll to the next digit.
7. Press the **SETPTS** button to store new values. The meter momentarily shows "**STRD**", "**RUN**" and then enters the run mode.

Note 1: You may press the **RESET** button anytime during this routine to return to the run mode.

Note 2: If your meter does not have dual relay output capabilities, the **SETPTS** button's only function is to display "**RUN**" and return the meter to the run mode.

SECTION 6. DISPLAY MESSAGES

Table 6-1. Display Messages

MESSAGE	DESCRIPTION
THERMISTOR	Thermistor meter
RST	Hard (power on) reset
INPT	Input type
DEC.P	Decimal point
RD.CF	Reading configuration
S1.CF	Setpoint 1 configuration
S2.CF	Setpoint 2 configuration
S1.DB	Setpoint 1 deadband
S2.DB	Setpoint 2 deadband
OT.CF	Output configuration
OT.S.O	Output scale and offset
TH.OF	Thermistor Temperature Offset Error Correction
±OPN	Sensor break or temperature outside range
9999	Value overflow in setpoint/menu peak deviation routines
-1999	Value overflow in setpoint/menu peak deviation routine
ER1	2 coordinate format programming error
PEAK	Peak value
VALY	Valley value
PK.RS	Peak reset
SP.RS	Reset setpoints
SP1	Setpoint 1 value
SP2	Setpoint 2 value
ER2	One or more of these items have overflowed due to decimal point change: setpoint values, setpoint deadbands, proportional bands or manual reset.
ER3	TH.OF is outside the range

SECTION 7. MENU CONFIGURATION

Table 7-1. Configuration Menu (Defaults in bold and italics)

MENU	▲/MIN	▶/MAX
INPT Input Type	Show input choices:	44004 <i>-80° to +150°C</i> 44005 -80° to +150°C 44006 -80° to +150°C 44007 -80° to +150°C 44008 -40° to +150°C 44016 -80° to +150°C 44018 -30° to +100°C 700 -30° to +100°C
DEC.P Decimal Point	Show decimal point position	FFFF. <i>FFF.F</i>
RD.CF Reading Configuration	R.1	C: Celsius <i>F: Fahrenheit</i>
S1.CF Setpoint 1 Configurations	S.1	<i>A: Active above</i> B: Active below
	S.2	<i>U: Unlatched</i> L: Latched
S2.CF Setpoint 2 Configurations	S.1	<i>A: Active above</i> B: Active below
	S.2	<i>U: Unlatched</i> L: Latched
S1.DB Setpoint 1 Deadband	Scroll right one digit	Change flashing digit's value
S2.DB Setpoint 2 Deadband	Scroll right one digit	Change flashing digit's value

SECTION 7. MENU CONFIGURATION (Continued)

Table 7-1. Configuration Menu (Continued)
(Defaults in bold and italics)

MENU	▲/MIN	▶/MAX
OT.CF Output Configuration	0.1	D: Disabled E: Enabled
Analog Output Option	0.2	V: Voltage analog out C: Current analog out
OT.S.O Output Scale & Offset		
Enter new value & show " OUT1 "	Show " RD 1 " & prior value	
	Scroll right one digit	Change flashing digit's value
Enter new value & show " RD 2 "	Show prior value	
	Scroll right one digit	Change flashing digit's value
Enter new value & show " OUT2 "	Show prior value	
	Scroll right one digit	Change flashing digit's value
TH.OF Temperature Offset Error Correction	Show prior offset value	
	Scroll right one digit	Change flashing digit's value.

SECTION 7. MENU CONFIGURATION (CONTINUED)

Table 7-2. Run Mode Displays

Display	▶/MIN	▲/MAX	RESET	Description
PEAK Peak Reading		Shows peak reading. Press again to return to normal operating mode without resetting.	Reset peak reading when in this mode.	Shows highest reading since last reset.
VALY		Shows valley reading. Press again to return to normal operating mode without resetting.		Shows lowest reading since last reset.
SP.RS				LATCHED RESET Press RESET button to reset your setpoints.

SECTION 8. SETPOINT CONFIGURATION DISPLAYS

Table 8-1. Setpoint Configuration Displays

MENU	▶/MIN	▲/MAX	DESCRIPTION
SP 1 Setpoint 1	Scroll right one digit	Change flashing digit's value	Select from -1999 through 9999
SP 2 Setpoint 2	Scroll right one digit	Change flashing digit's value	Select from -1999 through 9999

SECTION 9. SPECIFICATIONS

SIGNAL INPUT

Thermistor Types/ Temperature Ranges	44004, 44005, 44006, 44007, 44016, -80° through +150°C (-112° through 302°F) 44008, 44032 -40° through +150°C (-40° through 302°F) 44018, 700 -30° to +100°C (-22° through 212°F)
Isolation	354 V peak per IEC spacing NMR- 60 dB CMR- 120 dB
Protection	Maximum 100 mA input current
Display	LED 14 segment, 13.8 mm (0.54")

ANALOG TO DIGITAL

Technique	Dual slope, polarity automatic
Internal Resolution	15 bits
Read rate	3/sec

ACCURACY AT 25°C $\pm.2^{\circ}\text{C}$

SECTION 9. SPECIFICATIONS (Continued)

Temperature Repeatability	$\pm 1^{\circ}\text{C}$
Temperature Stability	$0.05^{\circ}\text{C}/^{\circ}\text{C}$
Step Response Time	4 to 5 seconds
Warm Up to Rated Accuracy	30 min

ANALOG OUTPUT (Optional)

Signal type	Current or voltage
Signal level	Current: 10 V max compliance at 20 mA output Voltage: 20 mA max for 0-10 V output
Linearity	0.2%
Step Response Time	1-2 seconds to 99% of the final value

INPUT POWER INFORMATION

Voltage	ac	115 V rms $\pm 15\%$ 230 V rms $\pm 10\%$
	dc	9.5 to 32 Vdc
Frequency		50-60 Hz
Power		6 watts

SECTION 9. SPECIFICATIONS (Continued)

ENVIRONMENT

Operating Temperature 0 to 50°C (115/230 V rms \pm 15%)
0 to 60°C (115/230 V rms \pm 10%)

Storage Temperature -40 through 85°C

Relative Humidity 90% at 40°C (non-condensing)

MECHANICAL

Panel cutout 1/8 DIN 3.62 x 1.8" (45 x 92mm)

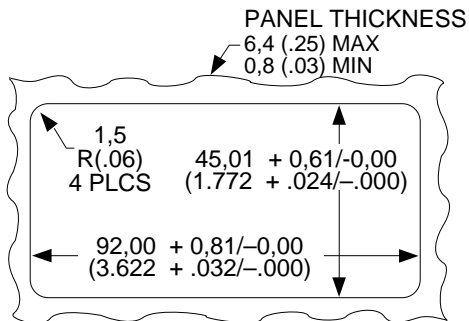
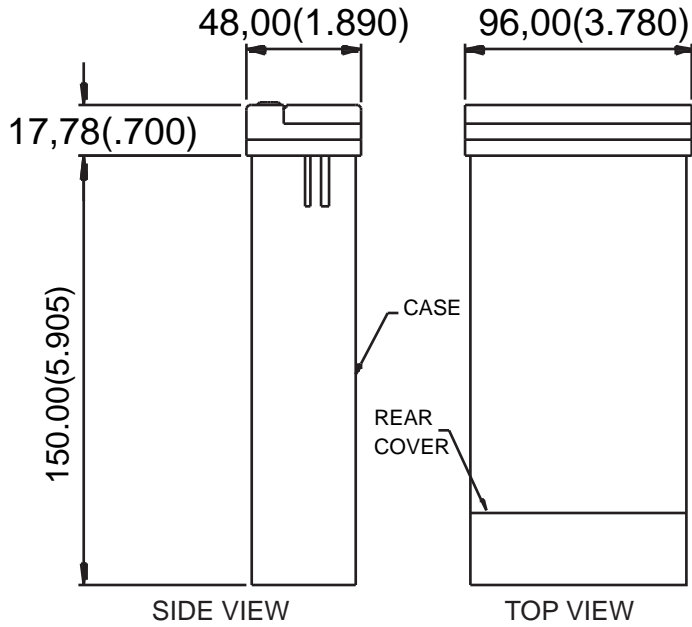
Weight 1.27 lb (574 g)

Case material Polycarbonate, 94 V-O UL rated

ALARM

OUTPUTS (Optional) 2 Form "C" on/off relays. Configurable latched or unlatched by software.
Max current: 6 AMPS
Max voltage: 250 Vac or 30 Vdc

SECTION 9. SPECIFICATIONS (Continued)



NOTE: Dimensions in Millimeters (Inches)

Figure 9-1. Meter Dimensions

SECTION 10. FACTORY PRESET VALUES

Table 10-1. Factory Preset Values

Menu Item	Factory Preset Values
INPT	Input Type: 4004
DEC.P	Decimal Point Position: FFF.F
RD.CF	Reading Configuration: R.1=F (Fahrenheit)
S1.CF	Setpoint 1 Configuration: S.1=A (Setpoint is active above) S.2=U (Setpoint is unlatched)
S2.CF	Setpoint 2 Configuration: S.1=A (Setpoint is active above) S.2=U (Setpoint is unlatched)
S1.DB	Setpoint 1 Deadband: 003.0
S2.DB	Setpoint 2 Deadband: 003.0
OT.CF	Output Configuration: O.1=E (Analog output option is enabled) O.2=C (Analog output option is current)
OT.S.O	Output Scale and Offset: 032° - 212.0°F = 4-20 mA dc
SP1	Setpoint 1 Value: 000.0
SP2	Setpoint 2 Value: 000.0

INDEX

- ac input power information 41
- ac power connections 15
- accuracy 3
- Active band
 - dual relay output 22, 23
- Analog output 26
 - connection drawing 17
 - current/voltage 25, 26
 - enabling/disabling 25
 - extremely low resistance load 14
 - output scale and offset 27-29
- Calibration
 - S3B jumper 14
- Calibration procedure
 - performing 14
- Configuration
 - analog output 25-30
 - deadband 24, 25
 - decimal point position 21
 - dual relay 22-25
 - fahrenheit/celsius display 21
 - input type 20
 - setpoint 1 22
 - setpoint 2 23
- Connecting
 - sensor input 19
- Connector label 9
- Connectors 10
 - dc power 10
- TC 10
- Customer service telephone 1
 - dc power
 - connections 10
 - dc power connections 16
- Deadband 25
 - dual relay output 24, 25
 - setpoint 1 24, 34, 35, 44
 - setpoint 2 25, 34, 35, 44
- Decimal point 21, 44
 - default 44
- Dimensions
 - meter 43
- Dual relay output
 - and meter buttons 6, 7
 - connection drawing 17
 - deadband 24, 25
 - latched/unlatched setpoints 23, 24
 - setpoint 1 configurations 22
 - setpoint 2 configurations 23
- Front panel push-buttons 5-7
 - enabling/disabling 14
- Hysteresis
 - setpoint 1 24
 - setpoint 2 25
- Input type 20, 44
- Jumpers
 - 115/230 Vac 11
 - installing/removing 11
 - lock out 7
 - S2 14
 - S3 14
 - W1 - W3 13
- Latched/unlatched setpoints
 - dual relay output 23, 24
- Lock out jumpers 7
- Main board jumpers 13
 - checking/changing 11
 - installing/removing 11
 - S2A 14
 - S2B 14
 - S2C 14
 - S2D 14
 - S3 14
- Main power connection
 - DC 16
- Main power connections
 - ac power 10, 15
 - analog output 17
 - dc power 10, 16
 - dual relay output 17
- MENU button 7
 - disabling 14

INDEX

- Meter
 - dimensions 43
 - mounting 18
- Meter installation 18
- Offset
 - output scale and 27-29
- Output configuration 25
- Output scale and offset 27-29
 - defaults 42
- Panel cut-out
 - meter mounting 18
- Reading configuration
 - celsius vs fahrenheit 42
 - default 42
- RESET
 - latched 36
- RESET button 7
- S2 jumpers
 - for calibration purposes only 14
- S3 jumpers
 - uses for 14
- Sensor input 19
- Setpoint 1
 - active band 22
 - deadband 24
 - latched/unlatched 22
 - selecting 32
- Setpoint 1 & 2 configurations
 - defaults 42
- Setpoint 1 & 2 deadband
 - defaults 42
- Setpoint 2
 - active band 23
 - deadband 25
 - latched/unlatched 23
- Selecting 32
- Setpoint deadbands
 - dual relay output 24, 25
- SETPTS button 6
- Specification
 - analog output 41
- Specifications
 - alarm outputs 42
 - analog to digital 40
 - environment 42
 - input power 42
 - mechanical 42
 - meter dimensions 43
 - signal input 40
- TB1 connectors
- TB1-1 - TB1-12 10
- TB3 connectors
- TB3-A & TB3-B 10
- Temperature display 21, 22
- Totalizer 4
- W1 - W3 jumpers 13
- Wire colors
 - ac power connections 15
- ▲/MIN button 6
- ▲/MAX button 6